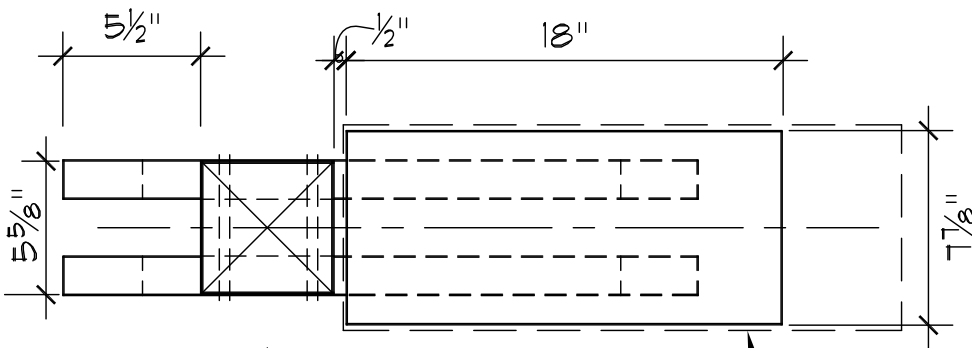




— THE —  
**VILLAGE™**  
CASTLE PINES

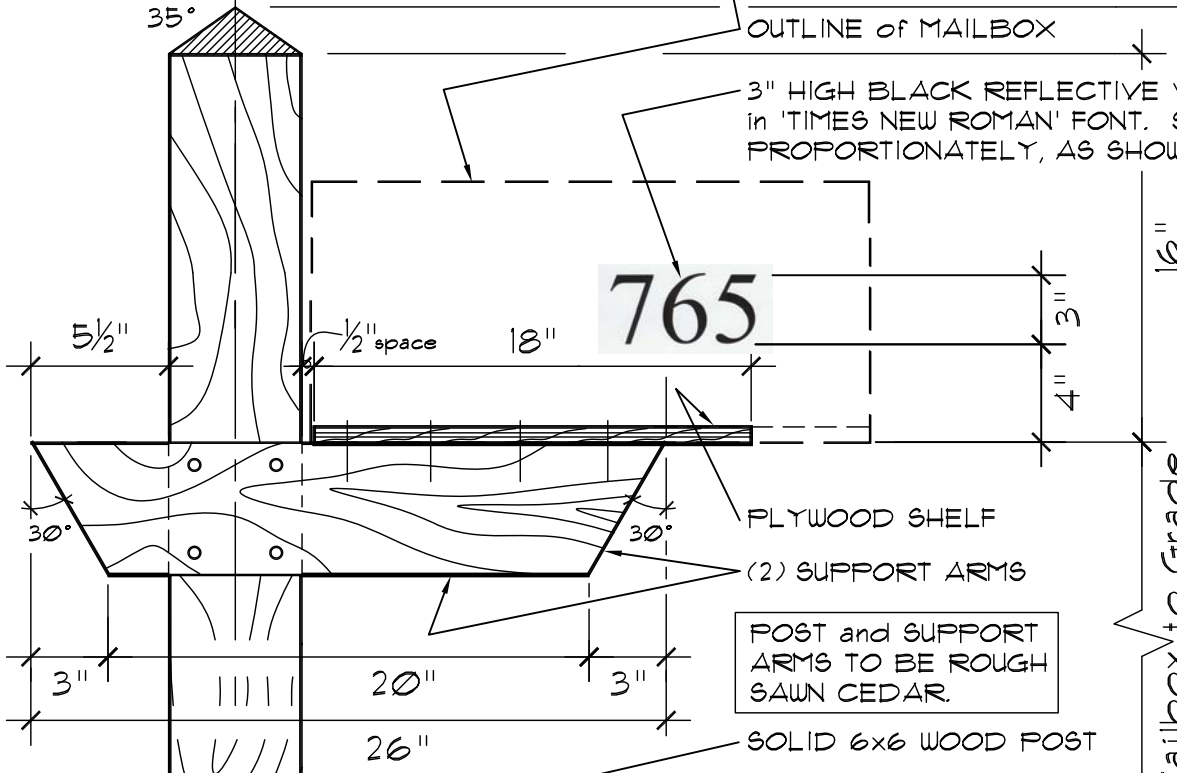


### Top View

OUTLINE of MAILBOX

3" HIGH BLACK REFLECTIVE VINYL NUMERALS in 'TIMES NEW ROMAN' FONT. SPACE PROPORTIONATELY, AS SHOWN (both sides).

765



### Side View

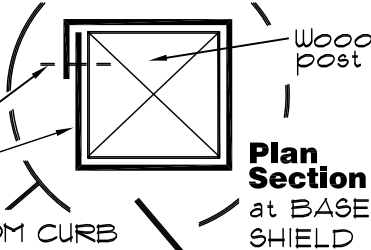
PLYWOOD SHELF

(2) SUPPORT ARMS

POST and SUPPORT ARMS TO BE ROUGH SAWN CEDAR.

SOLID 6x6 WOOD POST

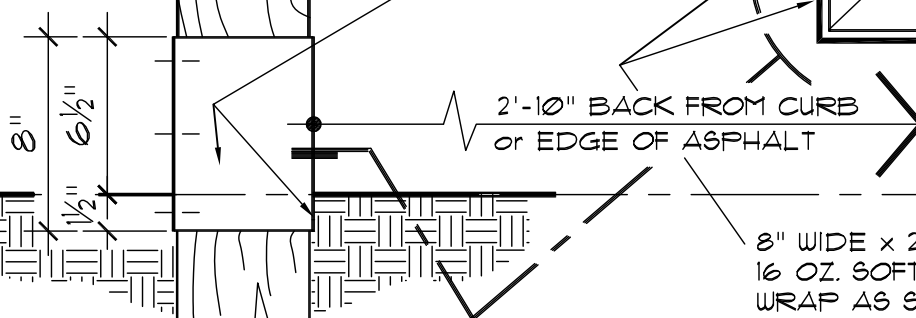
OPTIONAL COPPER BASE SHIELD - EXTEND 1/2" BELOW FINISH GRADE



Plan Section at BASE SHIELD

40" Bottom of Mailbox to Grade

7'-0" Overall Post



8" WIDE x 26" LONG .0216" THICK 16 OZ. SOFT COPPER SHEET. WRAP AS SHOWN and FASTEN WITH (3) 1" RING BARB COPPER NAILS on BACKSIDE.

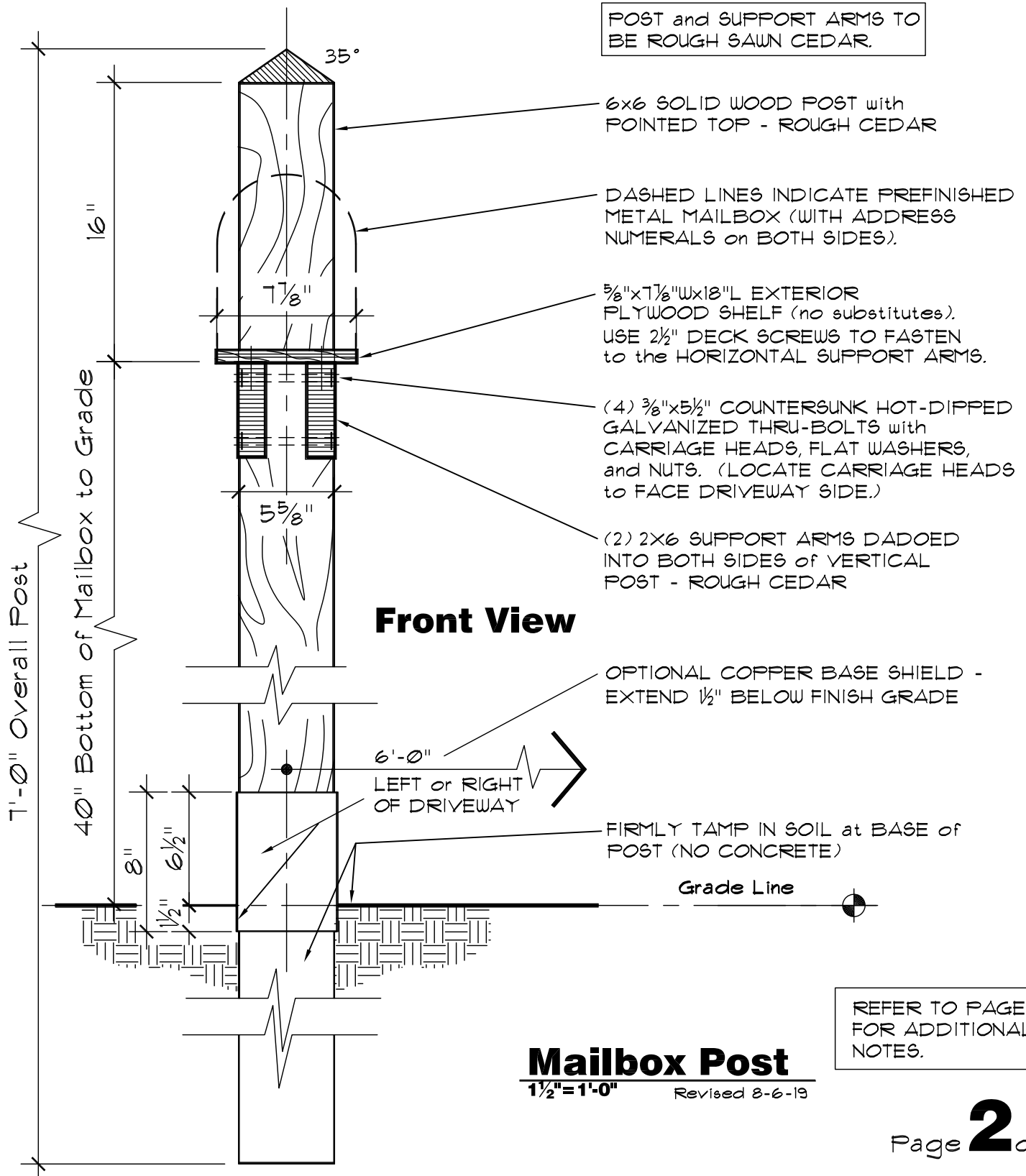
# Mailbox Post

1 1/2" = 1'-0"

Revised 8-6-19

# Notes:

1. CONTACT the CASTLE PINES HOMES ASSOCIATION at 303-814-1345 WITH QUESTIONS or REGARDING JANZER MAILBOX REPLACEMENT FLAGS.
2. PREFINISHED METAL MAILBOX by JANZER CORPORATION. Model: ACCENT Color: "TAUPE"
3. LEAVE ROUGH-SAWN CEDAR UNTREATED, TO WEATHER WITH TIME.
4. THE MAILBOX SHALL NOT BE ILLUMINATED.
5. ANY VARIATIONS FROM THE STANDARDS SHOWN MUST BE SUBMITTED to the DESIGN REVIEW COMMITTEE PRIOR TO INSTALLATION.



REFER TO PAGE 1 FOR ADDITIONAL NOTES.

## Mailbox Post

1 1/2" = 1'-0" Revised 8-6-19